

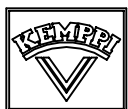
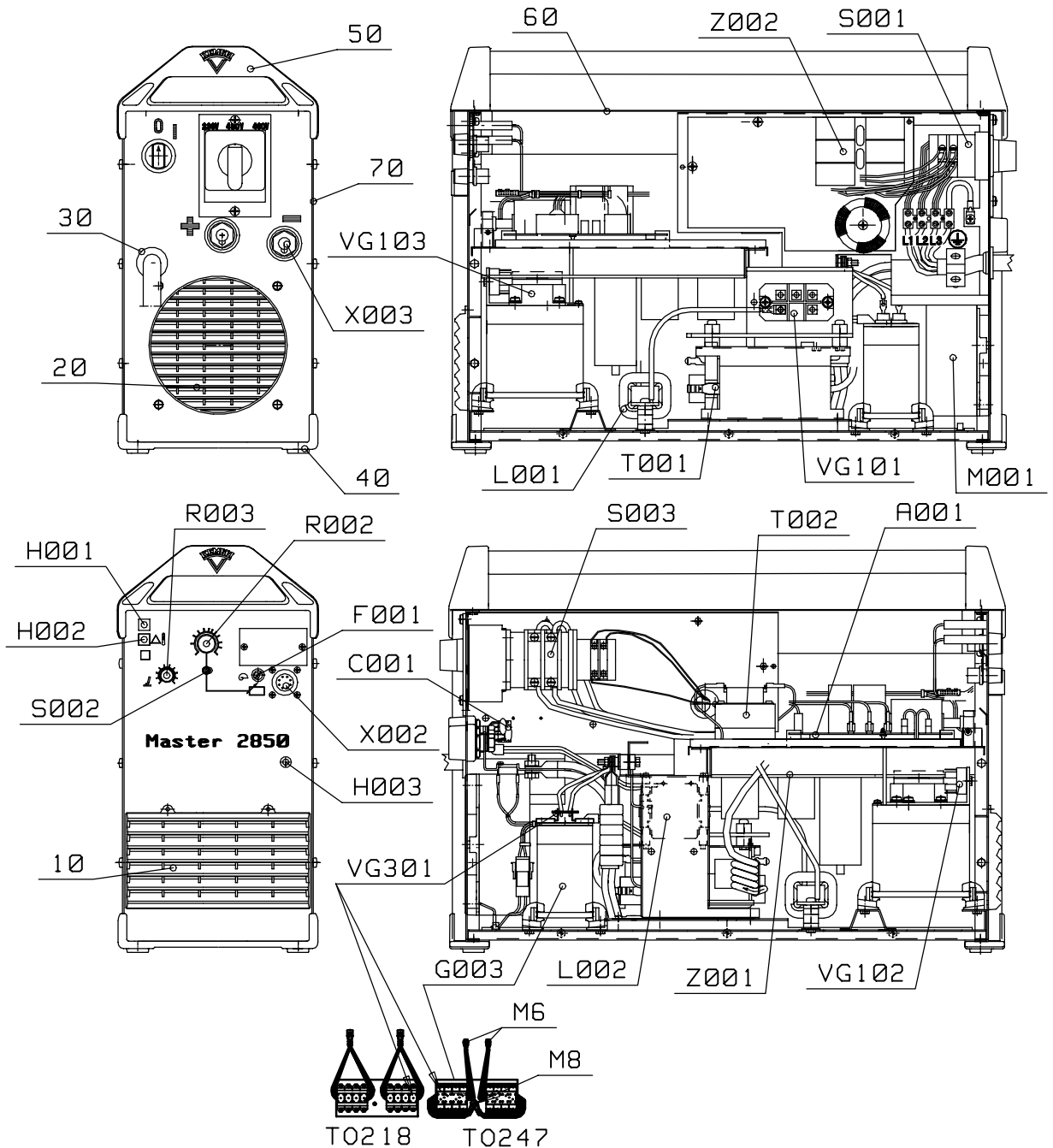
# MASTER 2850 3J

1913530

V130227

VARAOSAT  
RESERVDELAR  
RESERVE DELER  
RESERVEDELE

SPARE PARTS  
ERSATZTEILE  
ONDERDELEN  
PIECES DETACHEES



# KEMPPPI

4290860 -

Tilausno	Osano	Nimike		Määrä
4277040	A001	OHJAUSKORTTI	A001 MASTER 2850	1
4277110	C001	KONDENSAATTORI	MASTER2850 3J	1
9772509	F001	SULAKE HIDAS	0,2A 5X20	1
3143460	G003	TASASUUNTAUSYKS.	MASTER 2850	1
9775730	H001	MERKKILAMPPU VIHR		1
9775729	H002	MERKKILAMPPU KELT		1
9775724	H003	MERKKILAMPPU PUN.		1
3137400	L001	ENSIÖKURISTIN	L001/MASTER2850 3J	1
2061550	L002	TOISIÖKURISTIN	MASTER 2800	1
9544214	M001	PUHALLIN	MASTER 2800/3500	1
9754141	R002	POTENTIOMETRI	10 KOHM CERMET	1
9754159	R003	POTENTIOMETRI	470 KOHM	1
9760502	S001	PÄÄKYTKIN		1
9761323	S002	VAIHTOKYTKIN		1
9760631	S003	JÄNN.VAIHTOKYTKIN		1
2065210	T001	PÄÄMUUNTAJA	MASTER 2850 3J	1
9777807	T002	MUUNTAJA		1
9750174	VG101	TASASUUNTAUSYKSIKÖ		1
9750126	VG102	DIODISILTA		1
4277260	VG103	VARAOSA IGBT	200A MASTER2850 3J	1
4290600	VG301	DIODIKORTTI	TO247 MASTER 3500	2
9770116	X002	OHJAUSK.KONELIITIN		1
9771530	X003	KONELIITIN	DIX BE 50/70	2
4276910	Z001	PÄÄPIIRIKORTTI	Z001 MASTER 2850 3J	1
4276920	Z002	SUODINKORTTI	Z002 MASTER2850 3J	1
2061300	010	ETURITILÄ	MASTER2800, 3500	1
2061410	020	TAKARITILÄ	MASTER 2800/3500	1
9592157	030	LÄPIVIENTIRENGAS	19 MM	1
2061320	040	JALKA	MASTER 2800, 3500	2
1025480	050	KAHVA	MASTER 2800/3500	2
3137680	060	KANSI	MASTER 2850 3J	1
3137500	070	SIVULEVY	MASTER2850 3J	2
3137690		PIIRIKAAVIO	MASTER 2850	1
9759109		NUPPI	D15	1
9759114		NUPPI D21		1
9759121		KANSILEVY NUPILLE	D21 PUN.	1
9759126		KANSILEVY NUPILLE	D15 PUN.	1

Beställnr	Del	Beteckning		St.
4277040	A001	STYRKORT	A001 MASTER 2850	1
4277110	C001	KONDENSATOR	MASTER2850 3J	1
9772509	F001	SÄKRING TRÖG	0,2A 5X20	1
3143460	G003	LIKRIKTARENHET	MASTER 2850	1
9775730	H001	SIGNALLAMPA GRÖN		1
9775729	H002	SIGNALLAMPA GUL		1
9775724	H003	SIGNALLAMPA RÖD		1
3137400	L001	PRIMÄRDROSSEL	L001/MASTER2850 3J	1
2061550	L002	SEKUNDÄRDROSSEL	MASTER 2800	1
9544214	M001	VENTILATOR	MASTER 2800/3500	1
9754141	R002	POTENTIOMETER	10 KOHM CERMET	1
9754159	R003	POTENTIOMETER	470 KOHM	1
9760502	S001	HUVUDBRYTARE		1
9761323	S002	OMKOPPLARE		1
9760631	S003	SPÄNNINGSOMKOPPLARE		1
2065210	T001	HUVUDTRANSFORMATOR	MASTER 2850 3J	1
9777807	T002	TRANSFORMATOR		1
9750174	VG101	LIKRIKTARENHET	MASTER 2850	1
9750126	VG102	DIODBRYGGA		1
4277260	VG103	RESERVD EL IGBT	200A MASTER2850 3J	1
4290600	VG301	DIODKORT	TO247 MASTER 3500	2
9770116	X002	HYLSUTT. F MAN.KABEL		1
9771530	X003	MASKINK.F.SVETSKABEL	DIX BE 50/70	2
4276910	Z001	HUVUDSTRÖMKORT	Z001 MASTER 2850 3J	1
4276920	Z002	FILTERKORT	Z002 MASTER2850 3J	1
2061300	010	FRONTGALLER	MASTER2800, 3500	1
2061410	020	BAKGALLER	MASTER 2800/3500	1
9592157	030	GENOMFÖRINGSRING	19 MM	1
2061320	040	FOT	MASTER 2800, 3500	2
1025480	050	HANDTAG	MASTER 2800/3500	2
3137680	060	LOCK	MASTER 2850 3J	1
3137500	070	SIDOPLÅT	MASTER2850 3J	2
3137690		KOPPLINGSSCHEMA	MASTER 2850	1
9759109		KNOPP	D15	1
9759114		KNOPP D21		1
9759121		KNOPPENSDÄCKPLATTA	D21 RÖD	1
9759126		KNOPPENSDÄCKPLATTA	D15 RÖD	1

Bestillings nr.	Dele nr.	Beskrivelse	Stk.
4277040	A001	STYREKORT A001 MASTER 2850	1
4277110	C001	KONDENSATOR MASTER2850 3J	1
9772509	F001	SIKRING TREG 0,2A 5X20	1
3143460	G003	LIKERETTERENHET MASTER 2850	1
9775730	H001	SIGNALLAMPE GRØNN	1
9775729	H002	SIGNALLAMPE GUL MASTER	1
9775724	H003	SIGNALLAMPE RØD	1
3137400	L001	PRIMÆRDROSSEL L001/MASTER2850 3J	1
2061550	L002	SEKUNDÆRDROSSEL MASTER 2800	1
9544214	M001	VENTILATOR MASTER 2800/3500	1
9754141	R002	POTMETER 10 KOHM CERMET	1
9754159	R003	POTMETER 470K 470 KOHM	1
9760502	S001	HOVEDBRYTER PS2800/3500 380VK-MI	1
9761323	S002	OMKOBLER KPAK/MASTER	1
9760631	S003	SPENNINGSSOMKOBLER	1
2065210	T001	HOVEDTRANSFORMATOR MASTER 2850 3J	1
9777807	T002	TRAFO	1
9750174	VG101	LIKERETTERENHET MASTER 2850	1
9750126	VG102	DIODEBRYGGE 35A 600V	1
4277260	VG103	IGBT MODUL MASTER 2850	1
4290600	VG301	DIODEKORT TO247 MASTER 3500	2
9770116	X002	AMPH CHASSIS 10P HUN	1
9771530	X003	MASKINKONTAKT DIX BE 50/70	2
4276910	Z001	HOVEDSTRØMKORT Z001 MASTER 2850 3J	1
4276920	Z002	FILTERKORT Z002 MASTER2850 3J	1
2061300	010	FRONTGITTER MASTER2800, 3500	1
2061410	020	BAKDEKSEL MASTER 2800/3500	1
9592157	030	GJENNOMFØRING 19 MM	1
2061320	040	FOT MASTER 2800, 3500	2
1025480	050	HANDTAK MASTER 2800/3500	2
3137680	060	DEKK MASTER 2850 3J	1
3137500	070	SIDEPLATE MASTER2850 3J	2
3137690		KOBLINGSSKJEMA MASTER 2850	1
9759109		REGULERINGSKNAPP 15/6	1
9759114		REGULERINGSKNAPP 21/6	1
9759121		DEKKPLATE D21 RØD	1
9759126		DEKKPLATE D15 RØD	1

Varenr.	Positionsnr.	Beskrivelse		Stk
4277040	A001	A001 KORT	MASTER 2850	1
4277110	C001	KONDENSATOR	MASTER2850 3J	1
9772509	F001	SIKRING TRÆG	0,2A 5X20	1
3143460	G003	ENSRETTER ENHED	MASTER 2850	1
9775730	H001	SIGNALLAMPE	MASTER	1
9775729	H002	SIGNALLAMPE	MASTER	1
9775724	H003	SIGNALLAMPE RØD		1
3137400	L001	PRIMÆRDROSSEL	L001/MASTER2850 3J	1
2061550	L002	SEKUNDÆR DROSSEL	MASTER 2800	1
9544214	M001	VENTILATOR	MASTER 2800/3500	1
9754141	R002	POTENTIOMETER	10 KOHM CERMET	1
9754159	R003	POTENTIOMETER	MASTER 2800/3500	1
9760502	S001	HOVEDAFBRYDER	PRO 4000	1
9761323	S002	OMSKIFTER	F/LHF 5/KEMPAK	1
9760631	S003	SPÆND.VALG OMSKIFTER		1
2065210	T001	HOVEDTRANSFORMER	MASTER 2850 3J	1
9777807	T002	TRANSFORMATOR		1
9750174	VG101	ENSRETTERENHED	MASTER 2850	1
9750126	VG102	DIODEBRO 35 A 600 V		1
4277260	VG103	IGBT RESERVEDEL	MASTER 2850	1
4290600	VG301	DIODEKORT	TO247 MASTER 3500	2
9770116	X002	10 P. HUNSOKKEL		1
9771530	X003	HUNSOKKEL 50/70 MM2		2
4276910	Z001	Z001 HOVEDKORT	Z001 MASTER 2850 3J	1
4276920	Z002	Z002 FILTERKORT	MASTER 2850	1
2061300	010	FRONTGITTER	MASTER2800, 3500	1
2061410	020	BAGGITTER	MASTER 2800/3500	1
9592157	030	GENNEMFØRINGSRING	19 MM	1
2061320	040	FOD	MASTER 2800, 3500	2
1025480	050	HÅNDTAG	MASTER 2800/3500	2
3137680	060	COVER	MASTER 2850 3J	1
3137500	070	SIDEPLADE	MASTER2850 3J	2
3137690		DIAGRAM	MASTER 2850	1
9759109		DREJEKNAP	FOR 6 MM AKSEL	1
9759114		DREJEKNAP/SE 4158823	SE OGSÅ 9759121	1
9759121		LÅG F/DREJEKNAP		1
9759126		ENDEKNAP	D15 RØD	1

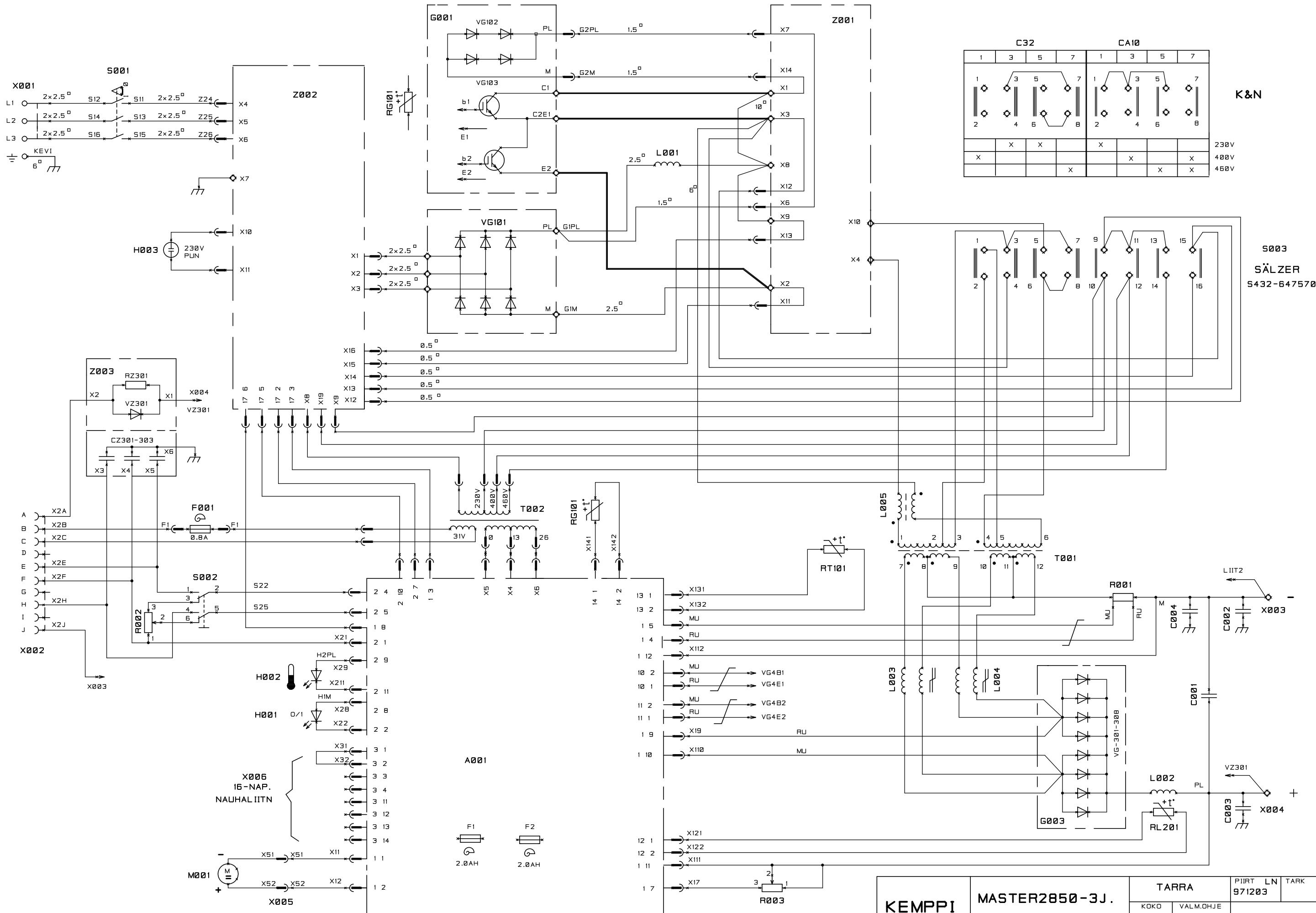
Order no.	Part	Description	Pc.
4277040	A001	CONTROL CARD A001 MASTER 2850	1
4277110	C001	CAPACITOR MASTER2850 3-PH	1
9772509	F001	FUSE DELAYED 0,2A 5X20	1
3143460	G003	RECTIFICATION UNIT MASTER 2850	1
9775730	H001	SIGNAL LAMP GREEN	1
9775729	H002	SIGNAL LAMP YELLOW	1
9775724	H003	SIGNAL LAMP RED	1
3137400	L001	PRIMARY CHOKE L001/MASTER2850 3J	1
2061550	L002	SECONDARY CHOKE MASTER 2800	1
9544214	M001	COOLING FAN MASTER 2800/3500	1
9754141	R002	POTENTIOMETER 10 KOHM CERMET	1
9754159	R003	POTENTIOMETER 470 KOHM	1
9760502	S001	MAIN SWITCH	1
9761323	S002	CHANGE OVER SWITCH	1
9760631	S003	V.CHANGE-OVER SW.	1
2065210	T001	MAIN TRANSFORMER MASTER 2850 3-PH	1
9777807	T002	TRANSFORMER	1
9750174	VG101	RECTIFIER UNIT	1
9750126	VG102	DIODE BRIDGE	1
4277260	VG103	SPARE PART IGBT 200A MASTER2850 3PH	1
4290600	VG301	DIODE CARD TO247 MASTER 3500	2
9770116	X002	MACHINE SOCKET	1
9771530	X003	MACHINE SOCKET DIX BE 50/70	2
4276910	Z001	MAIN CIRCUIT CARD Z001 MASTER 2850 3P	1
4276920	Z002	FILTER CARD Z002 MASTER2850 3-PH	1
2061300	010	FRONT GRATE MASTER2800, 3500	1
2061410	020	REAR GRATE MASTER 2800/3500	1
9592157	030	INLET RING 19 MM	1
2061320	040	FOOT MASTER 2800, 3500	2
1025480	050	HANDLE MASTER 2800/3500	2
3137680	060	COVER MASTER 2850 3-PH	1
3137500	070	SIDE PLATE MASTER2850 3PH	2
3137690		CIRCUIT DIAGRAM MASTER 2850	1
9759109		KNOB D15	1
9759114		KNOB D21	1
9759121		LOCK PLATE F KNOB D21 RED	1
9759126		LOCK PLATE F KNOB D15 RED	1

Bestellnr	Teil	Bezeichnung		St.
4277040	A001	STEUERKARTE	A001 MASTER 2850	1
4277110	C001	KONDENSATOR	MASTER2850 3J	1
9772509	F001	SICHERUNG TRÄGE	0,2A 5X20	1
3143460	G003	GLEICHRICHT.EINHEIT	MASTER 2850	1
9775730	H001	SIGNALLAMPE GRÜN		1
9775729	H002	SIGNALLAMPE GELB		1
9775724	H003	SIGNALLAMPE ROT		1
3137400	L001	PRIMÄRDROSSEL	L001/MASTER2850 3J	1
2061550	L002	SEKUNDÄRDROSSEL	MASTER 2800	1
9544214	M001	VENTILATOR	MASTER 2800/3500	1
9754141	R002	POTENTIOMETER	10 KOHM CERMET	1
9754159	R003	POTENTIOMETER	470 KOHM	1
9760502	S001	HAUPTSCHALTER		1
9761323	S002	UMSCHALTER		1
9760631	S003	SPANN.UMSCHALTER		1
2065210	T001	HAUPTTRANSFORMATOR	MASTER 2850 3-SP.	1
9777807	T002	TRANSFORMATOR		1
9750174	VG101	GLEICHRICHTEREINHEIT		1
9750126	VG102	DIODENBRÜCKE		1
4277260	VG103	ERSATZTEIL IGBT	200A MASTER2850 3J	1
4290600	VG301	DIODENKARTE	TO247 MASTER 3500	2
9770116	X002	STEUERKABELBUCHSE		1
9771530	X003	SCHWEISSKABELBUCHSE	DIX BE 50/70	2
4276910	Z001	HAUPTKREISKARTE	Z001 MASTER 2850 3J	1
4276920	Z002	FILTERKARTE	Z002 MASTER2850 3J	1
2061300	010	FRONTGITTER	MASTER2800, 3500	1
2061410	020	RÜCKGATTER	MASTER 2800/3500	1
9592157	030	DURCHFÜHRUNGSRING	19 MM	1
2061320	040	FUSS	MASTER 2800, 3500	2
1025480	050	GRIFF	MASTER 2800/3500	2
3137680	060	DECKEL	MASTER 2850 3J	1
3137500	070	SEITENPLATTE	MASTER2850 3J	2
3137690		SCHALTPLAN	MASTER 2850	1
9759109		KNOPF	D15	1
9759114		KNOPF D21		1
9759121		DECKEL DES KNOPFES	D21 ROT	1
9759126		DECKEL DES KNOPFES	D15 ROT	1

Bestelnr	Deel	Omschrijving	St.
4277040	A001	PRINT A001 MASTER 2850 MV	1
4277110	C001	CONDENSATOR MASTER2850 3J	1
9772509	F001	ZEKERING TR. 0,2A 5X20	1
3143460	G003	GELIJKRICHTENHEID MASTER 2850	1
9775730	H001	SIGNAALLAMP GROEN	1
9775729	H002	SIGNAALLAMP GEEL	1
9775724	H003	SIGNAALLAMP ROOD	1
3137400	L001	PRIM. SMOORSPOEL L001/MASTER2850 3J	1
2061550	L002	SEC. SMOORSPOEL MASTER 2800	1
9544214	M001	VENTILATOR MASTER 2800/3500	1
9754141	R002	POTENTIOMETER 10 KOHM CERMET	1
9754159	R003	POTENTIOMETER 470 KOHM	1
9760502	S001	HOOFDSCHAKELAAR	1
9761323	S002	SCHAKELAAR 2P.WISSEL	1
9760631	S003	SPANN.VERAND.SCHAK.	1
2065210	T001	HOOFDTRANSFORM. MASTER 2850 3J	1
9777807	T002	TRANSFORMATOR	1
9750174	VG101	GEIJKRICHTER	1
9750126	VG102	DIODE BRUG	1
4277260	VG103	IGBT MASTER	1
4290600	VG301	DIODEPRINT TO247 MASTER 3500	2
9770116	X002	CHASSISDEELPLUG	1
9771530	X003	INBOUWKOPPELING DIX BE 50/70	2
4276910	Z001	PRINT Z001 MASTER 2850 3J	1
4276920	Z002	PRINT Z002 MASTER 2850 MV	1
2061300	010	VOOR ROOSTER MASTER2800, 3500	1
2061410	020	ACHTER ROOSTER MASTER 2800/3500	1
9592157	030	DOORVOERRING 19 MM	1
2061320	040	VOET MASTER 2800, 3500	2
1025480	050	HANDVAT MASTER 2800/3500	2
3137680	060	DEKSEL MASTER 2850 3J	1
3137500	070	ZIJPLAAT MASTER2850 3J	2
3137690		SCHEMA MASTER 2850	1
9759109		KNOL D15	1
9759114		KNOP D21	1
9759121		AFSLUITPLAAT KNOP D21 ROOD	1
9759126		DEKSEL D15 ROOD	1



Reference	Piece	Designation	Nbre
4277040	A001	CARTE A001 MASTER 2850	1
4277110	C001	CONDENSATEUR MASTER2850 3J	1
9772509	F001	FUSIBLE RETARDE 0,2A 5X20	1
3143460	G003	UNITE DE REDRESSEUR MASTER 2850	1
9775730	H001	LAMPE TEMOIN VERTE	1
9775729	H002	LAMPE TEMOIN JAUNE	1
9775724	H003	LAMPE INDICATRICE ROUGE	1
3137400	L001	SELF PRIMAIRE L001/MASTER2850 3J	1
2061550	L002	SELF SECONDAIRE MASTER 2800	1
9544214	M001	VENTILATEUR MASTER 2800/3500	1
9754141	R002	POTENTIOMETRE 10 KOHM CERMET	1
9754159	R003	POTENTIOMETRE 470 KOHM	1
9760502	S001	INTERRUPTEUR PRINCIP	1
9761323	S002	INTERRUPTEUR 2P.	1
9760631	S003	ACCOUPLLEMENT DE MANOEUVRE/TENSION	1
2065210	T001	TRANSFO PRINCIPAL MASTER 2850 3J	1
9777807	T002	TRANSFORMATEUR	1
9750174	VG101	REDRESSEUR MASTER 2850	1
9750126	VG102	CIRCUIT DIODE	1
4277260	VG103	MODULE IGBT MASTER 2850	1
4290600	VG301	CARTE DIODE TO247 MASTER 3500	2
9770116	X002	CHASSIS PRISE 10P FEMELLE	1
9771530	X003	CONNECTEUR DIX BE 50/70	2
4276910	Z001	CARTE DE CIRC.PRINC. Z001 MASTER 2850 3J	1
4276920	Z002	CARTE Z002 MASTER 2850 MV	1
2061300	010	GRILLE FRONTALE MASTER2800, 3500	1
2061410	020	GRILLE SEC. MASTER 2800/3500	1
9592157	030	PASSE CABLE 19 MM	1
2061320	040	PIED MASTER 2800, 3500	2
1025480	050	POIGNEE MASTER 2800/3500	2
3137680	060	COUVERCLE MASTER 2850 3J	1
3137500	070	PANNEAU LATERAL MASTER2850 3J	2
3137690		SCHEMA ELECTRIQUE MASTER 2850	1
9759109		BOUTON D15	1
9759114		BOUTON D21	1
9759121		COUVERCLE D21 ROUGE	1
9759126		COUVERCLE D15 ROUGE	1



C32				CA10			
1	3	5	7	1	3	5	7
1	3	5	7	1	3	5	7
2	4	6	8	2	4	6	8
X	X	X	X	X	X	X	X

230V  
400V  
460V

K&N

S003  
SÄLZER  
S432-647570

KEMPPI

MASTER2850-3J.  
230V.400V.460V

TARRA

KOKO VALM.OHJE  
KES-54-002

PIIRT LN TARK  
971203

3137690A